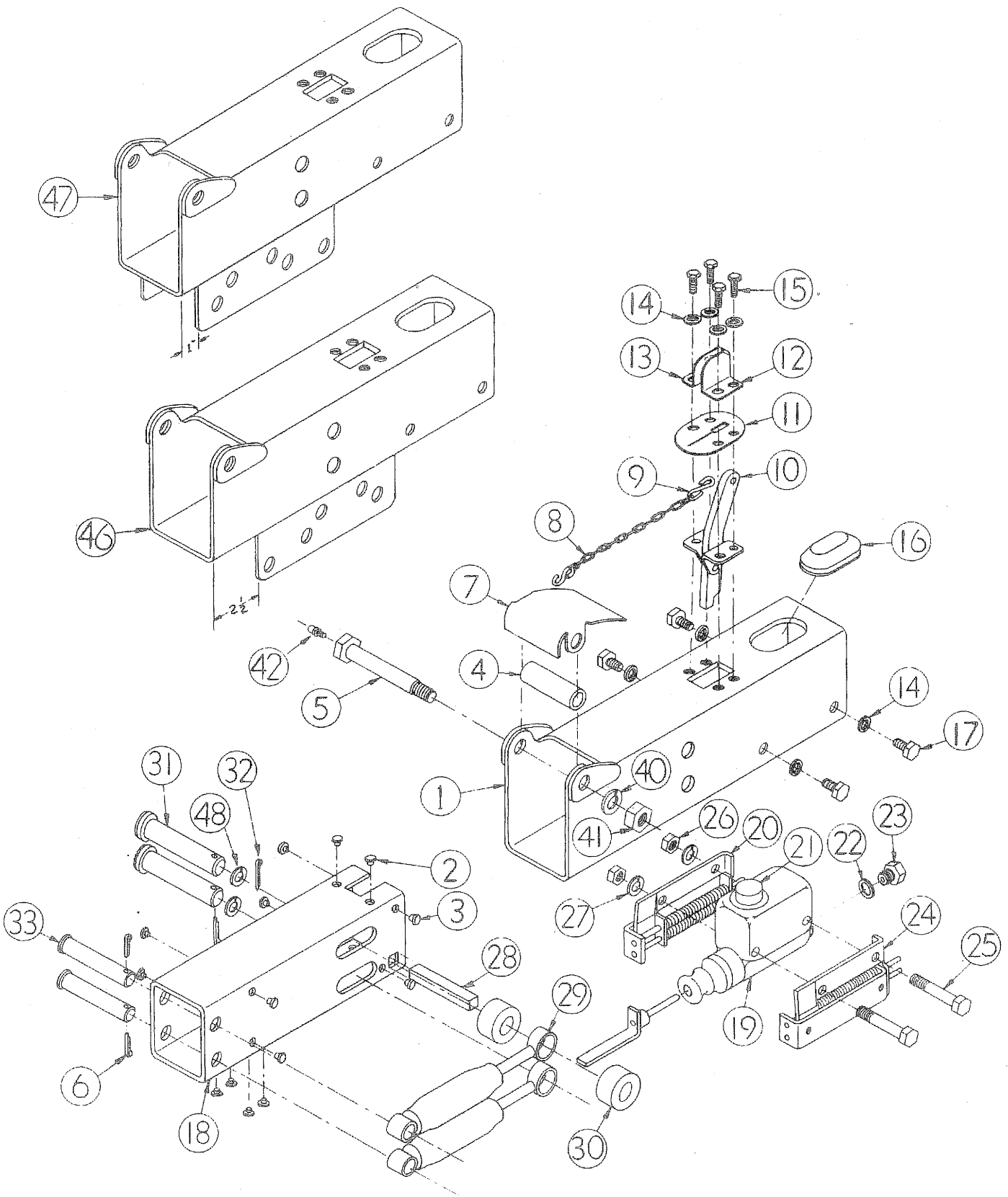


# MODEL 10 ACTUATOR PARTS DIAGRAM



\*NOTE: <#> Is the reference number shown in the assembly diagram of the actuator located at the end of this manual.